

ABOUT THE COLLEGE



PSG College of Technology established in 1951, is one of the many educational institutions nurtured by PSG & Sons' Charities Trust. The College is government – aided, autonomous, ISO 9001 certified and affiliated to Anna University. The institution has a strong alumni base, most of them occupying coveted positions in many educational, industrial and research organizations all over the world. PSG is one among the foremost of Institutes of national importance in higher technological education, engineering, basic and applied research. The college has established 48Centres of Excellence in the campus in association with various leading industries.

ABOUT THE DEPARTMENT



The department of Robotics and Automation Engineering was established in the year 2011 in order to meet the growing demand for trained manpower in the field of Robotics and Industrial Automation. This unique program is tailored to develop superior quality robotics and automation talent for manufacturing, defense, food, medical aerospace and service sectors. The department draws teaching talent from industry and professional practice, apart from competent and committed academicians to enhance the quality of the program. A full-fledged centre for robotics is operational, which houses various kinds of robots. The Department has several laboratories and ten Centres of Excellence.

ABOUT CIA

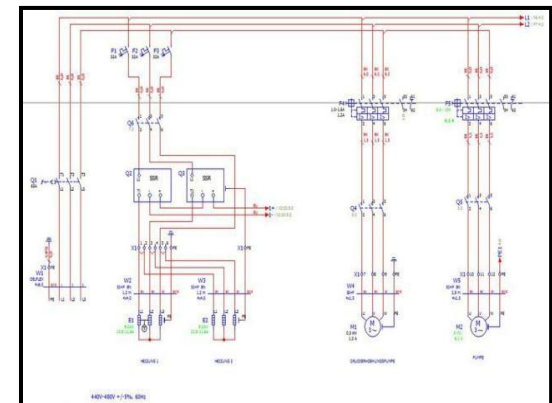
Centre for Industrial Automation(CIA) has been formed in PSG College of Technology to act as an interface between academia and industry in organizing quality training programmes, workshops and Conferences in the areas of Automation and Robotics. Automation plays an increasingly important role in the world economy and quality of life. The Centre for Industrial Automation also undertakes consultancy services, automated machine maintenance, and product development activities for automation and Robotics.

ABOUT THE PROGRAMME

EPLAN Electric P8 is an electrical engineering design software program that offers unlimited possibilities for project planning, documentation and management of automation projects. The automatic production of detailed reports based on wiring diagrams is an integral part of a comprehensive documentation system and provides subsequent phases of the project, such as production, assembly, commissioning and service with the data required. EPLAN develop solutions for greater efficiency, putting integration and automation at everything it does by providing end-users with all the core functions required of an electrical design package.

COURSE CONTENTS

- Introduction to EPLAN Software
- Electrical System Design
- Starting EPlan
- Design in accordance with IEC 81346 & IEC 61355 standards
- Creating a Project
- Opening and Editing Pages
- Creating a Schematic
- Cross-References
- Selection of Parts & Creating External Parts
- Macro Concept
- Find & Replace identifiers
- Reports Generation
- Accessing of Master Data
- Project Management
- Export, Import
- Printing of Project



**PSG COLLEGE OF TECHNOLOGY
COIMBATORE**
**ADVANCED ELECTRICAL
CIRCUIT DESIGN USING ePLAN
SOFTWARE**

APPLICATION FORM

Name : _____
Qualification : _____
Experience (if any): _____
Designation&Dept: _____
Organization : _____
Address for : _____
Communication : _____
: _____
Office No. : _____
Mobile No. : _____
Email Id : _____
Demand Draft No. : _____
Bank Name : _____
Amount in Rs. : _____

ELIGIBILITY

- Practicing engineers
- Faculty working in Polytechnic Colleges and engineering Colleges
- Diploma / UG/PG Engineering Students

COURSE FEE

Rs.5000/- per head (Fee Inclusive of Service Tax)

The registration fee includes working lunch and refreshments.

GATE WAY TO REGISTER

Registration for the programme can be made by sending the duly filled in application form along with Demand draft drawn in favor of "PSG CNCE", payable at Coimbatore, or can be paid as cash before the last date of application.

COURSE COORDINATOR

Dr. B. Vinod, HoD, RAE

The duly filled in application form may be send to Ms. K. Vidya

Centre for Industrial Automation
Dept. of Robotics and Automation Engg.
PSG College of Technology,
Peelamedu, Coimbatore – 641004

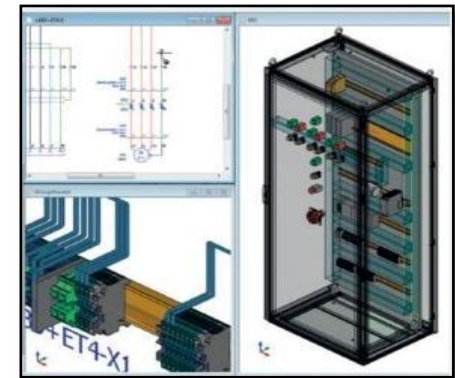
Mobile : 8973509825

Email : cia@mail.psgtech.ac.in

**PSG CENTRE FOR NONFORMAL
AND CONTINUING EDUCATION**

**DEPARTMENT OF ROBOTICS AND
AUTOMATION ENGINEERING**

**A COURSE ON
ADVANCED ELECTRICAL CIRCUIT
DESIGN USING ePLAN SOFTWARE**



**CENTRE FOR INDUSTRIAL AUTOMATION
PSG COLLEGE OF TECHNOLOGY
COIMBATORE**